

RevF = 100K Linear
 RevC = 220K Linear

MESA-BOOGIE DUAL RECTIFIER PREAMP RF-1F

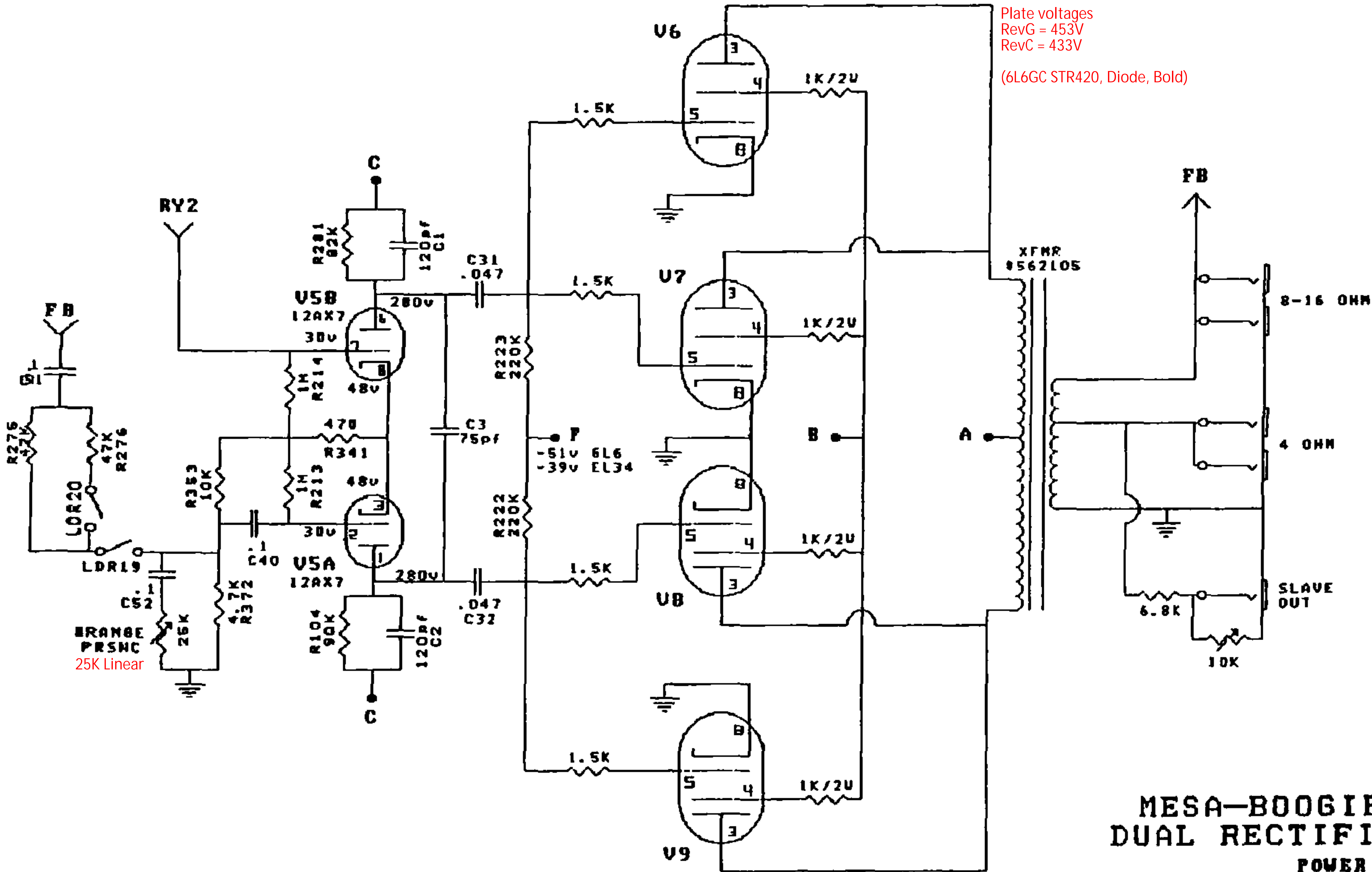
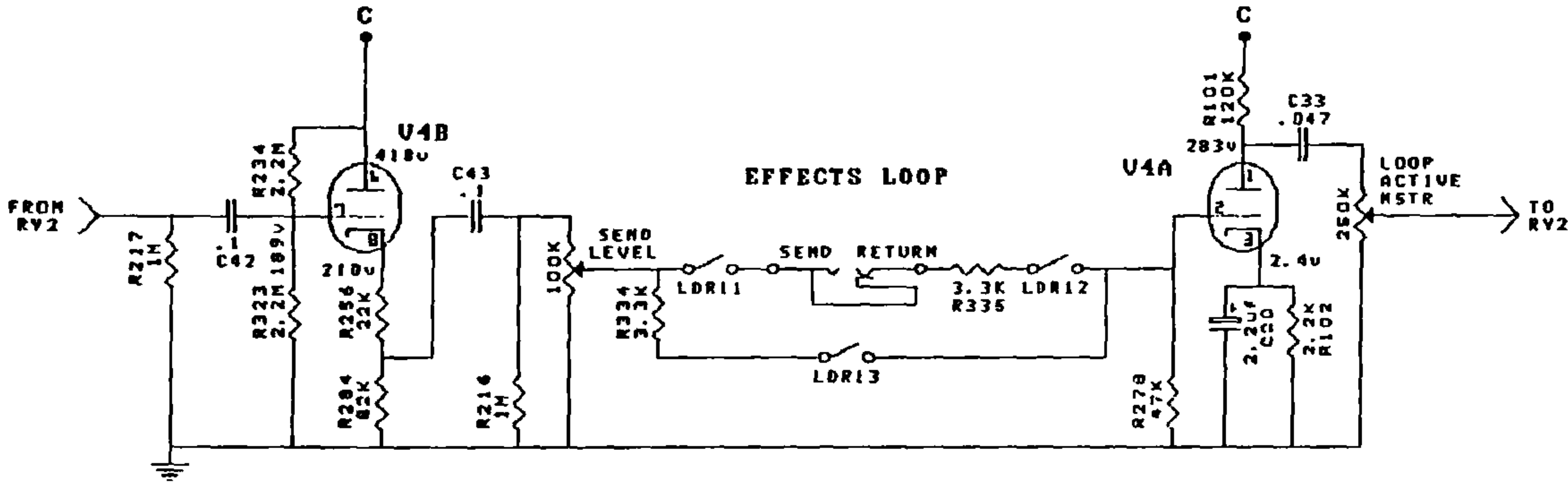
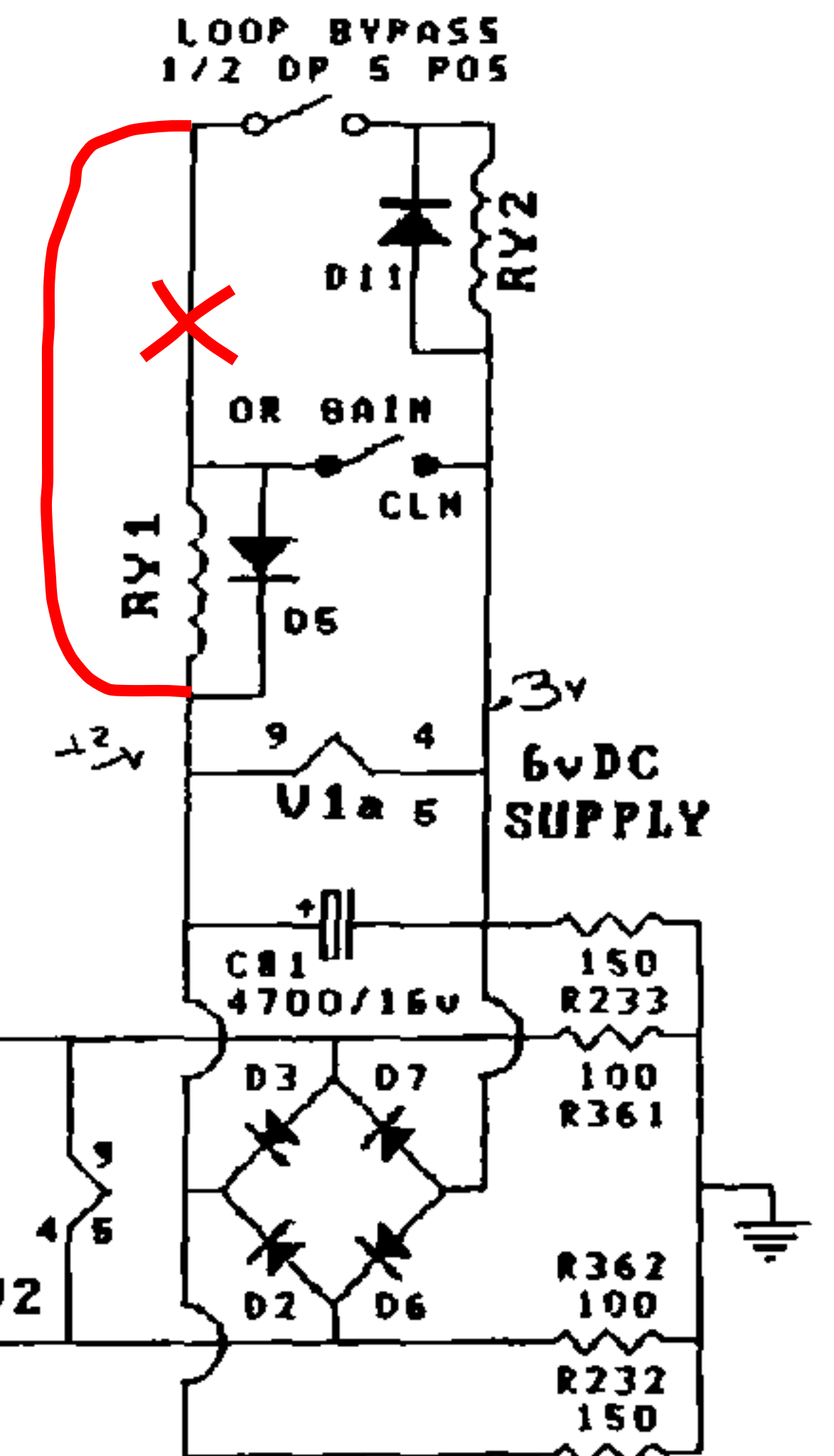
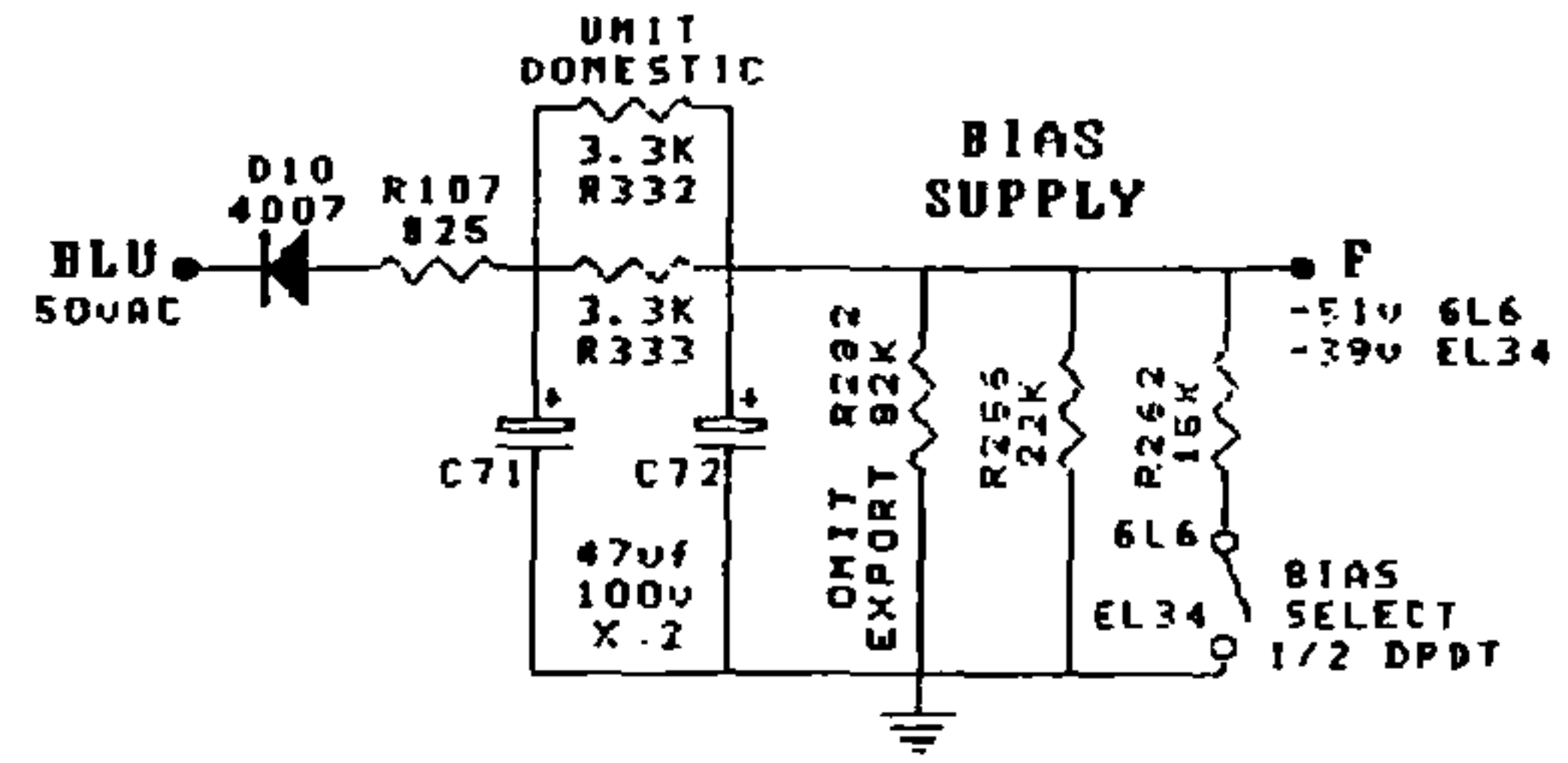
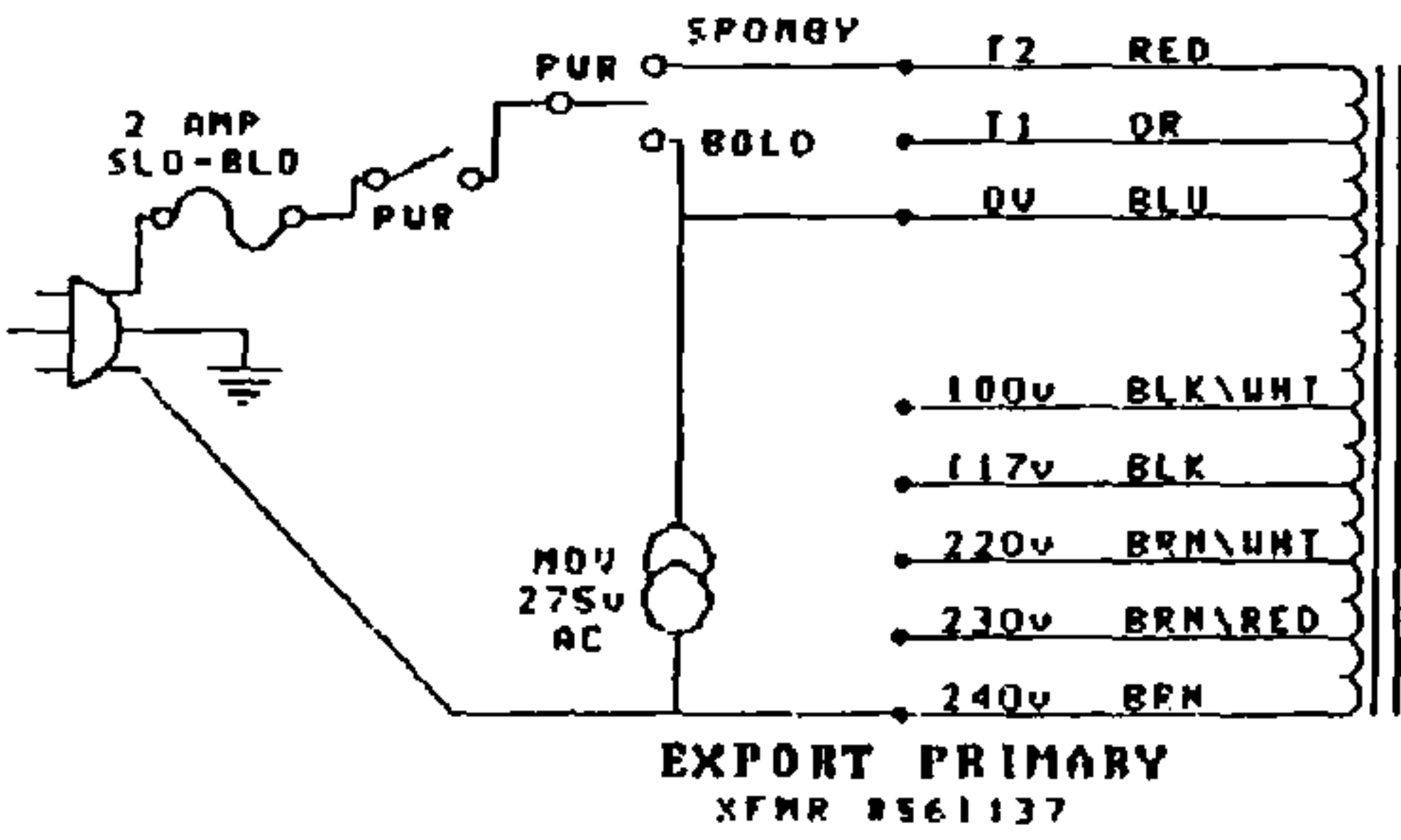
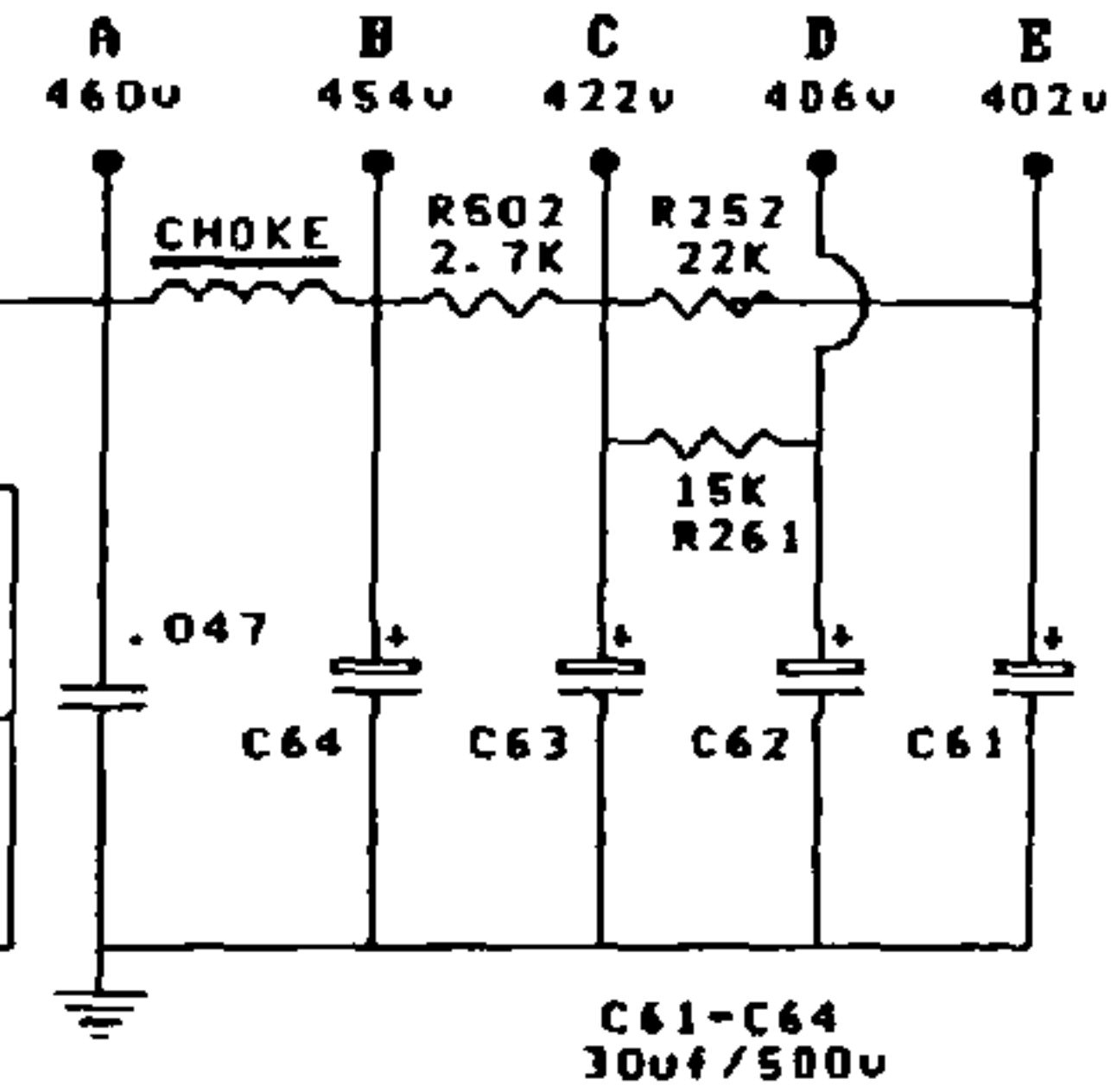
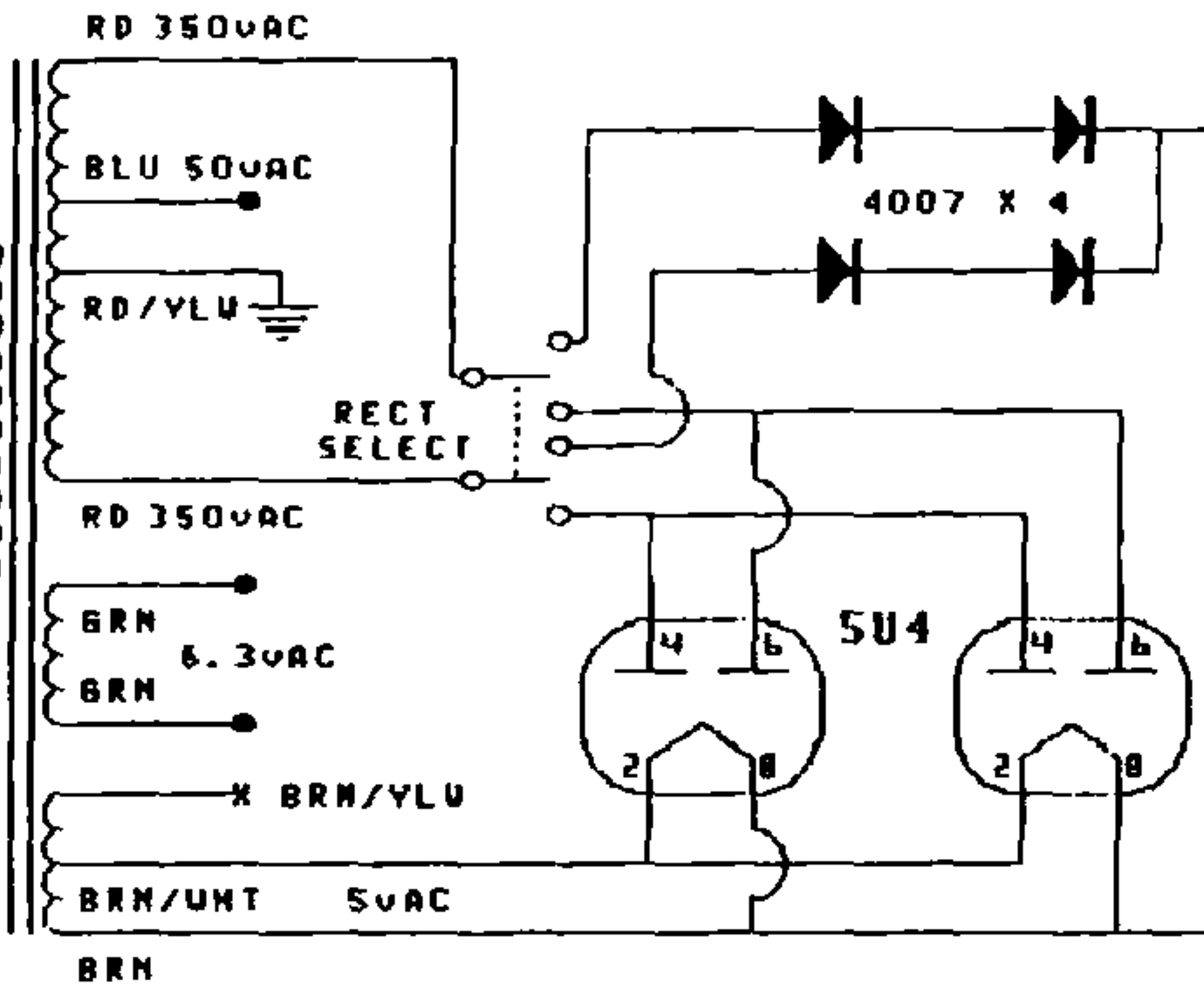
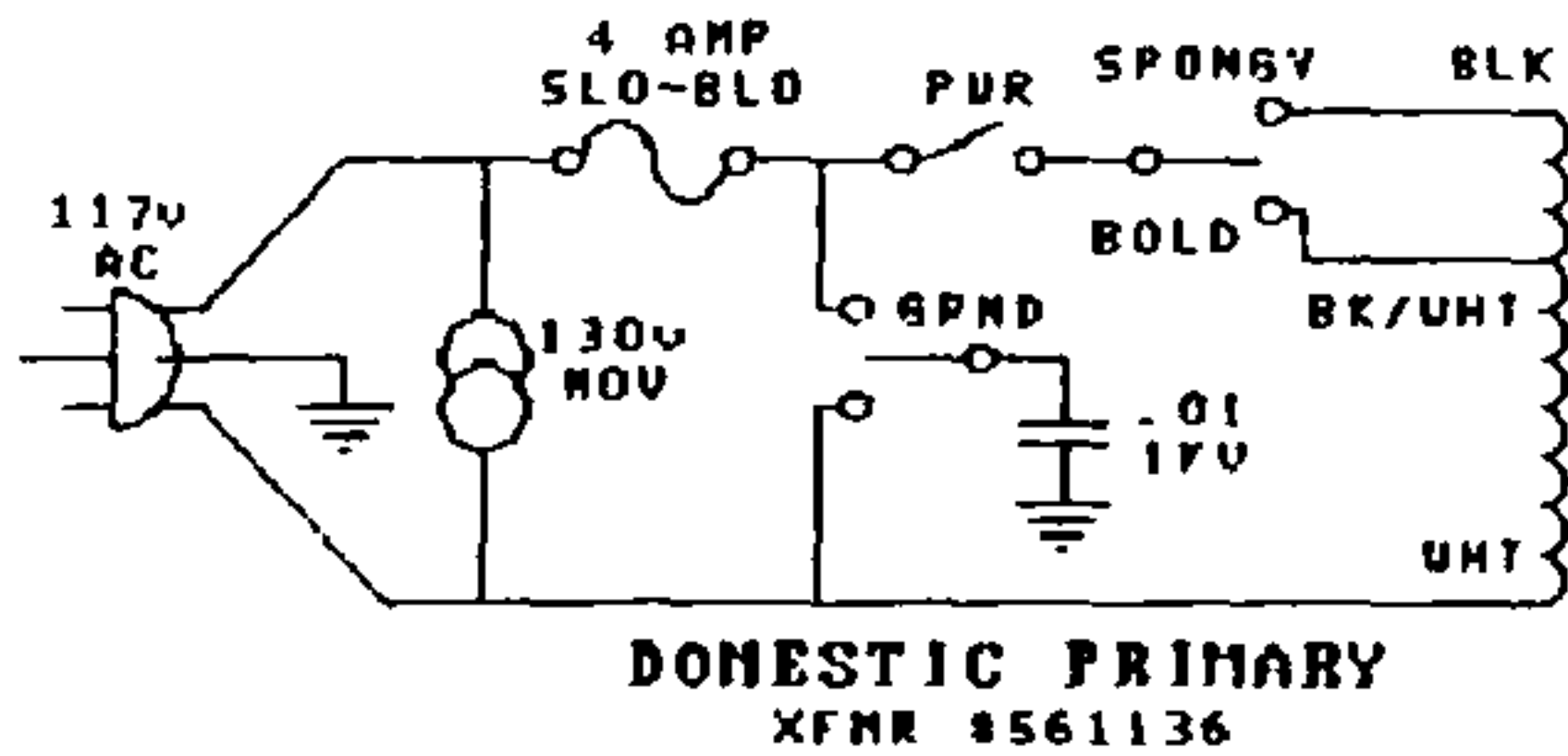


Plate voltages
 RevG = 453V
 RevC = 433V
 (6L6GC STR420, Diode, Bold)

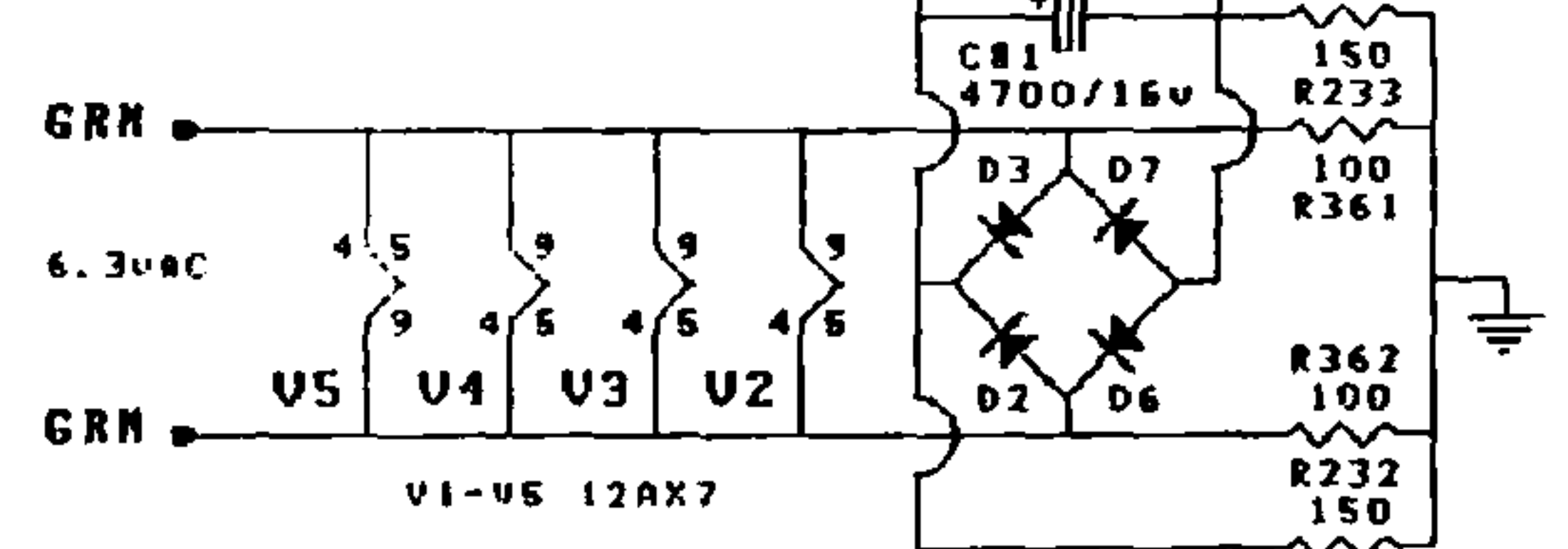
**MESA-BOOGIE
 DUAL RECTIFIER
 POWER AMP**

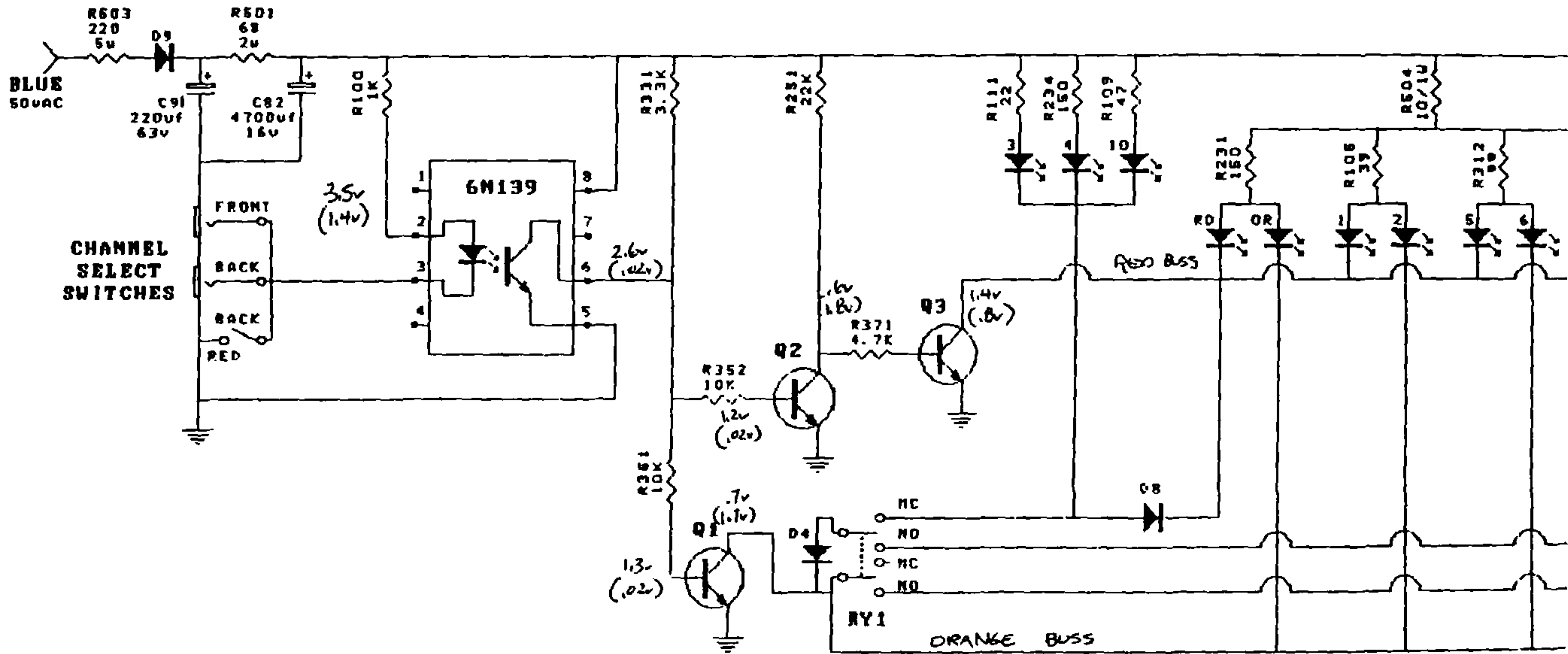
EFFECTS LOOP





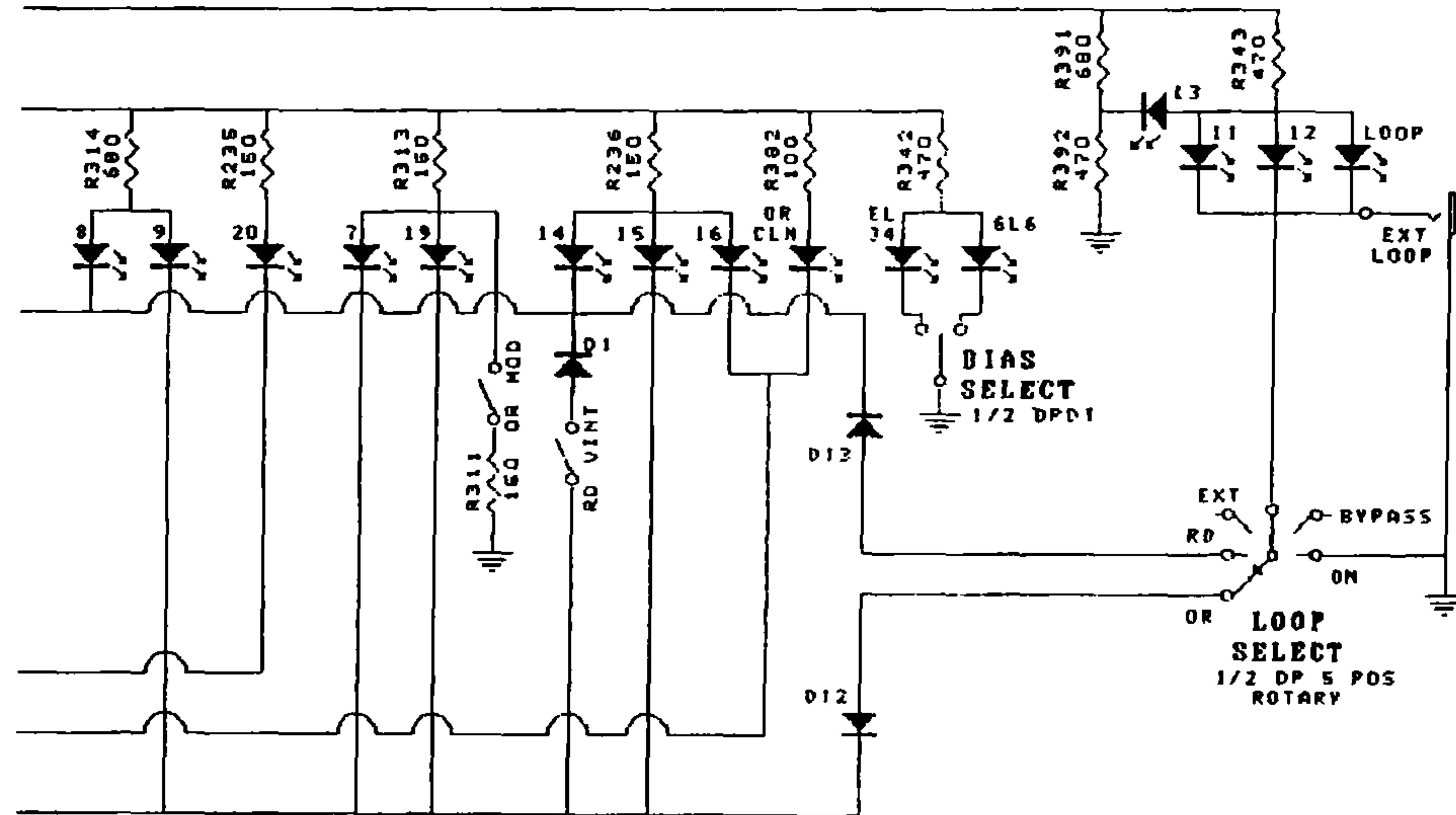
MESA-BOOGIE
DUAL RECTIFIER
POWER SUPPLIES





RY 1; on in or cln
 lifts LDR's 3,4,10 from OR BUSS
 adds LDR's 16,20, to OR BUSS

**MESA-BOOGIE
 DUAL-RECTIFIER
 SWITCHING MATRIX PART ONE**



- LDR1 - RD INPUT SELECT
- LDR2 - OR INPUT SELECT
- LDR3a - V2a CATHODE CAP
- LDR3b - V1a CATHODE CAP
- LDR4 - V1a OUTPUT PAD
- LDR5 - RD BAIN POT
- LDR6 - OR BAIN POT
- LDR7 - TREBLE ROLLOFF
- LDR8 - RD TONE CAPS
- LDR9 - OR TONE CAPS
- LDR10 - V3a CATHODE CAP
- LDR11 - FX SEND
- LDR12 - FX RETURN
- LDR13 - FX BYPASS
- LDR14 - RD NSTR POT
- LDR15 - OR NSTR POT
- LDR16 - OR NSTR BYPASS
- LDR19 - FEEDBACK
- LDR20 - MORE FEEDBACK

LDR#	OR NORM	OR CLN	OR MOD	RD NORM	RD VINT
1	OFF	OFF	OFF	ON	ON
2	ON	ON	ON	OFF	OFF
3	ON	OFF	ON	ON	ON
4	ON	OFF	ON	ON	ON
5	OFF	OFF	OFF	ON	ON
6	ON	ON	ON	OFF	OFF
7	ON	ON	OFF	OFF	ON
8	OFF	OFF	OFF	ON	ON
9	ON	ON	ON	OFF	OFF
10	ON	OFF	ON	ON	ON
11	- FX SEND LDR, ON FOR SELECTED MODE-				
12	- FX RETURN LDR, ON FOR SELECTED MODE-				
13	- FX BYPASS LDR, ON FOR NONSELECTED MODE-				
14	OFF	OFF	OFF	ON	ON
15	ON	ON	ON	OFF	OFF
16	OFF	ON	OFF	OFF	OFF
19	ON	ON	OFF	OFF	ON
20	OFF	ON	OFF	OFF	OFF